

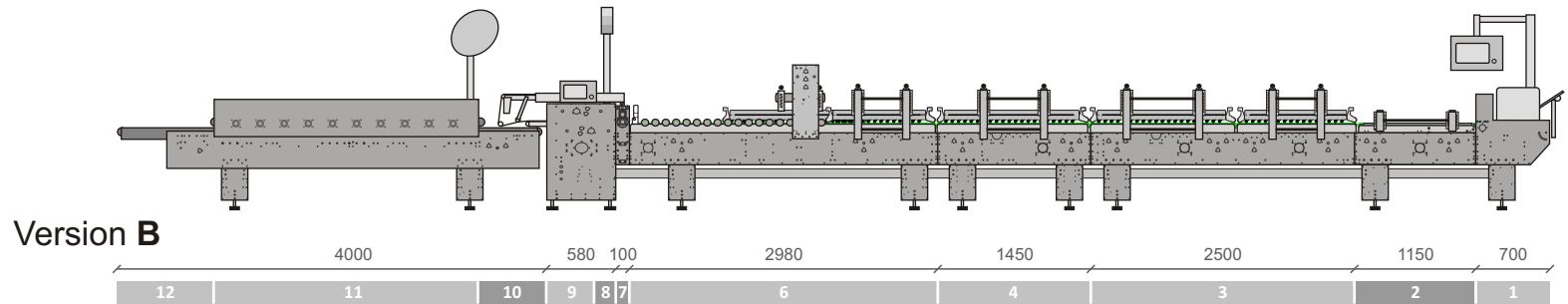
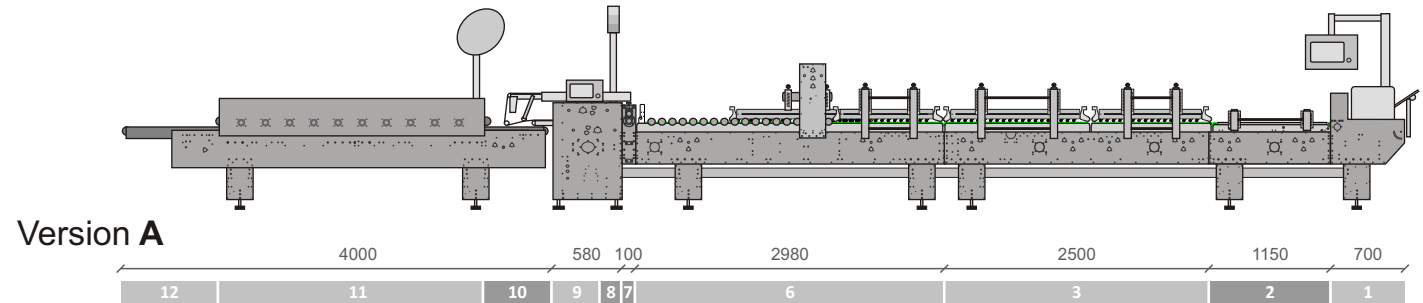
TECHNICAL DATA

MODULES OVERVIEW

1	Feeder
2	Vacumatic - blank alignment
3	Prefolding section
4	Folding module 1450
5	6 corner boxes module
6	Final folding section
7	Pressing unit
8	Vertical ejector (flipper)
9	Transfer station
10	Squaring device
11	Compression station
12	Delivery section

	Standard equipment
	Optional

Dimensions in millimeters (mm)



CONVERTIBLE STOCK

Folding box board	GSM
Microflute	TYPE

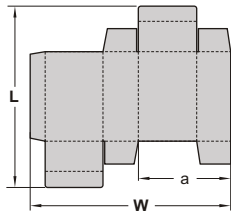
up to 600
N - F - E

DRIVE SYSTEM

Operating speed *	m/min : ft/min	20-200 / 65-656
optional	m/min : ft/min	20-300 / 65-984

JOBS DIMENSIONS

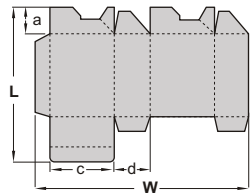
STRAIGHT LINE



	PASSIO 80	PASSIO 100
L _{max}	900 mm	900 mm
L _{min}	70 mm	70 mm
W _{max}	800 mm	1000 mm
W _{min}	75 mm	75 mm
a _{min}	35 mm	35 mm

W_{min} = 45mm / 1,77 in
with SMALL BOX ATTACHMENT

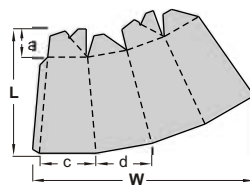
LOCK BOTTOM (B version required)



	PASSIO 80	PASSIO 100
L	90 - 900 mm	90 - 900 mm
W	147 - 800 mm	147 - 1000 mm
c _{min}	40 mm	40 mm
d _{min}	30 mm	30 mm
a _{min}	20 mm	20 mm

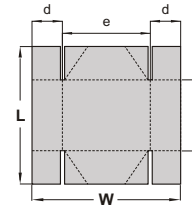
W_{min} = 110 mm / 4,33 in
with SPECIAL ATTACHMENT

CONICAL TYPE (B version required)



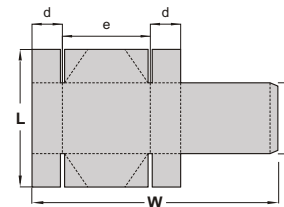
	PASSIO 80	PASSIO 100
L	90 - 900 mm	90 - 900 mm
W	160 - 800 mm	160 - 1000 mm
c _{min}	40 mm	40 mm
d _{min}	35 mm	35 mm
a _{min}	20 mm	20 mm

FOUR CORNER (B4 version required)



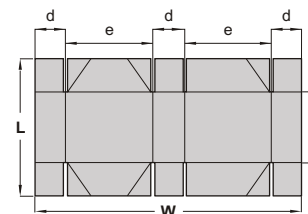
	PASSIO 80	PASSIO 100
L	120 - 900 mm	120 - 900 mm
W	130 - 800 mm	130 - 1000 mm
c _{min}	80 mm	80 mm
d	20 - 200 mm	20 - 200 mm
e _{min}	90 mm	90 mm

FOUR CORNER WITH LID (B4 version required)



	PASSIO 80	PASSIO 100
L	120 - 900 mm	120 - 900 mm
W	230 - 800 mm	230 - 1000 mm
c _{min}	80 mm	80 mm
d	20 - 200 mm	20 - 200 mm
e _{min}	90 mm	90 mm

SIX CORNER



	PASSIO 80	PASSIO 100
L	n.a.	n.a.
W	n.a.	n.a.
c _{min}	n.a.	n.a.
d	n.a.	n.a.
e _{min}	n.a.	n.a.