

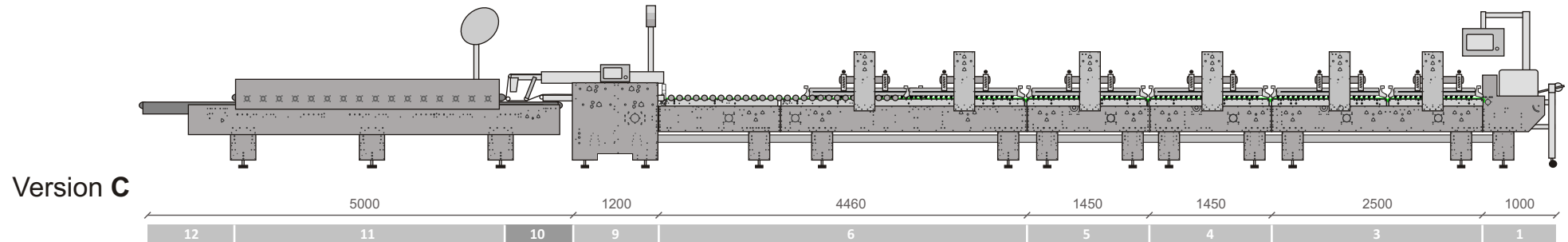
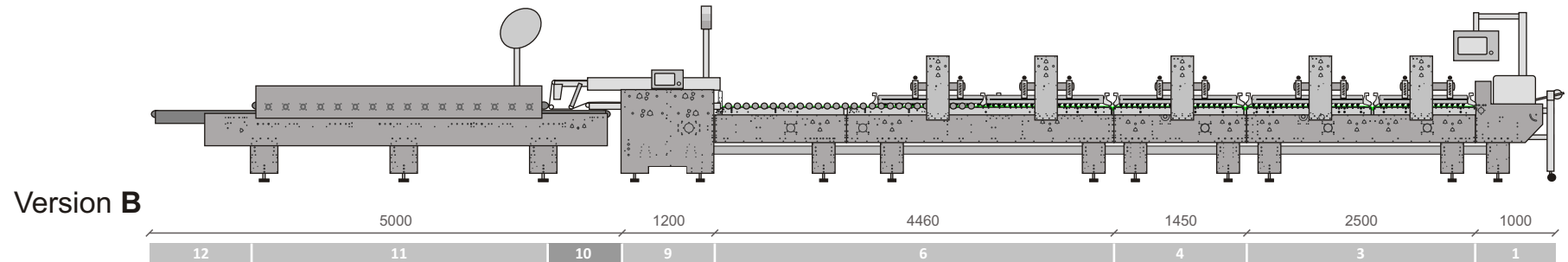
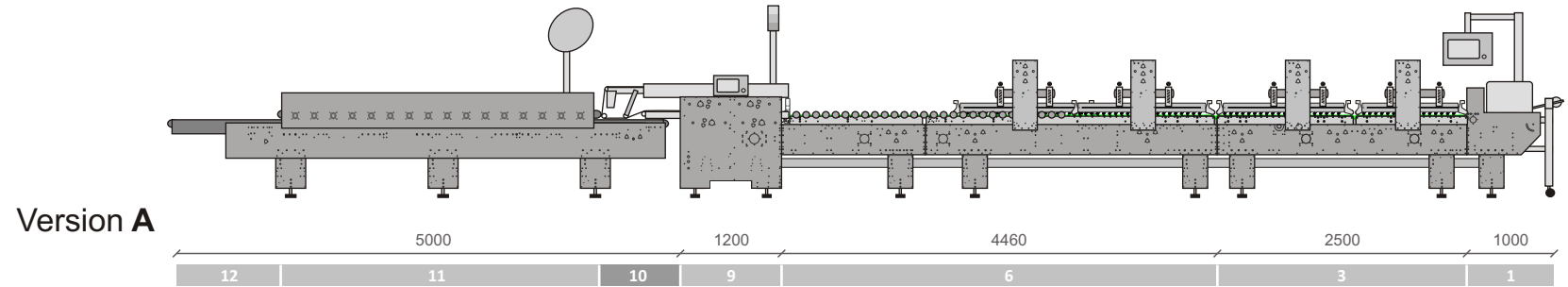
SERTO 145 / 160 / 200

MODULES OVERVIEW

1	Feeder
2	Blank alignment module
3	Prefolding section
4	Folding module 1450
5	6 corner boxes module
6	Final folding section
7	Pressing unit
8	Vertical ejector (flipper)
9	Transfer station
10	Squaring device
11	Compression station
12	Delivery section

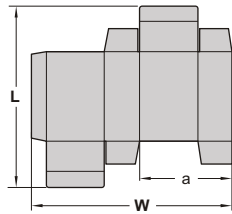
	Standard equipment
	Optional

Dimensions in millimeters (mm)



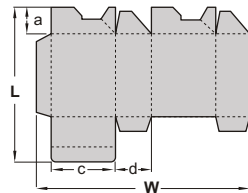
CORRUGATED BOARD

STRAIGHT LINE



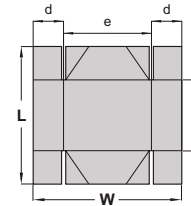
	SERTO 145	SERTO 160	SERTO 200
L _{max}	1200 mm	1200 mm	1400 mm
L _{min}	180 mm	180 mm	180 mm
W _{max}	1450 mm	1600 mm	2000 mm
W _{min}	280 mm	280 mm	280 mm
a _{min}	130 mm	130 mm	130 mm

LOCK BOTTOM



	SERTO 145	SERTO 160	SERTO 200
L	180 - 1200 mm	180 - 1200 mm	180 - 1400 mm
W	280 - 1450 mm	280 - 1600 mm	280 - 2000 mm
c _{min}	70 mm	70 mm	70 mm
d _{min}	60 mm	60 mm	60 mm
a _{min}	40 mm	40 mm	40 mm

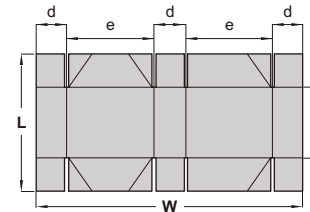
FOUR CORNER (k4 version required)



	SERTO 145	SERTO 160	SERTO 200
L	180 - 1200 mm	180 - 1200 mm	180 - 1400 mm
W	280 - 1450 mm	280 - 1600 mm	280 - 2000 mm
c _{min}	100 mm	100 mm	100 mm
d	40 - 260 mm	40 - 260 mm	40 - 260 mm
e _{min}	200 mm	200 mm	200 mm

d_{min} = 20 mm
ON REQUEST

SIX CORNER (k6 version required)



	SERTO 145	SERTO 160	SERTO 200
L	180 - 1200 mm	180 - 1200 mm	180 - 1400 mm
W	520 - 1450 mm	520 - 1600 mm	520 - 2000 mm
c _{min}	100 mm	100 mm	100 mm
d	40 - 260 mm	40 - 260 mm	40 - 260 mm
e _{min}	200 mm	200 mm	200 mm

CONVERTIBLE STOCK

Folding box board	GSM	200 - 1000
Microflute	TYPE	N / F / E
Corrugated board	TYPE	B / C / A / E-B / B-C *

DRIVE SYSTEM

Inching speed	m/min : ft/min	10 / 32,8
Operating speed	m/min : ft/min	20-200 / 65-656
Motor power	kW	16 - 38